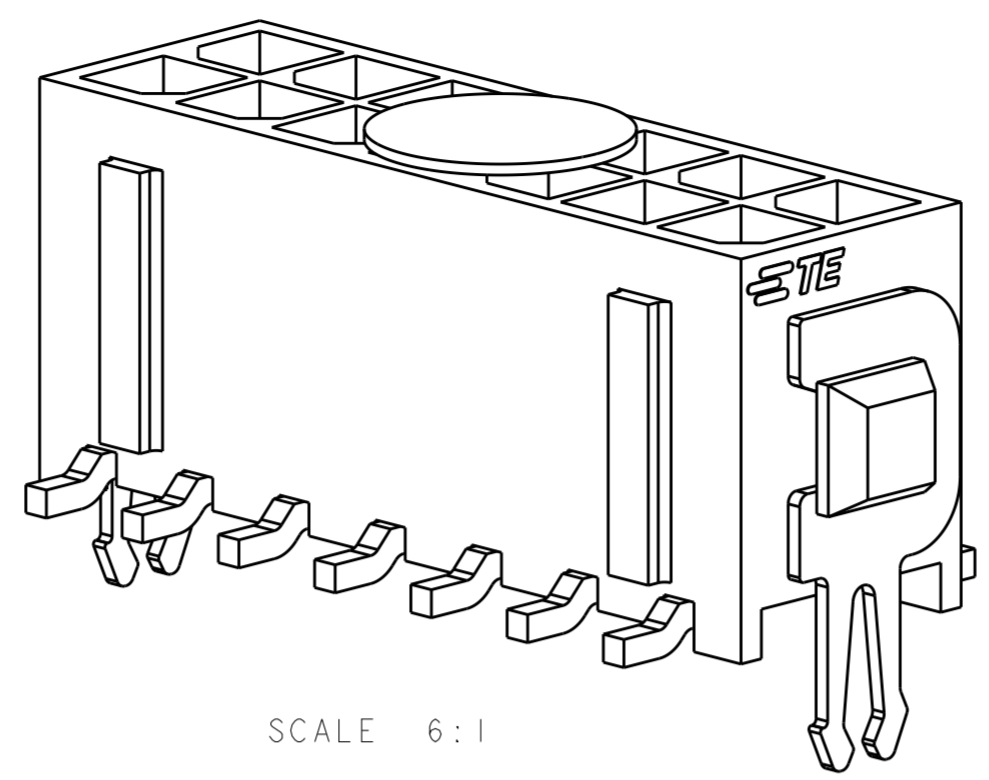
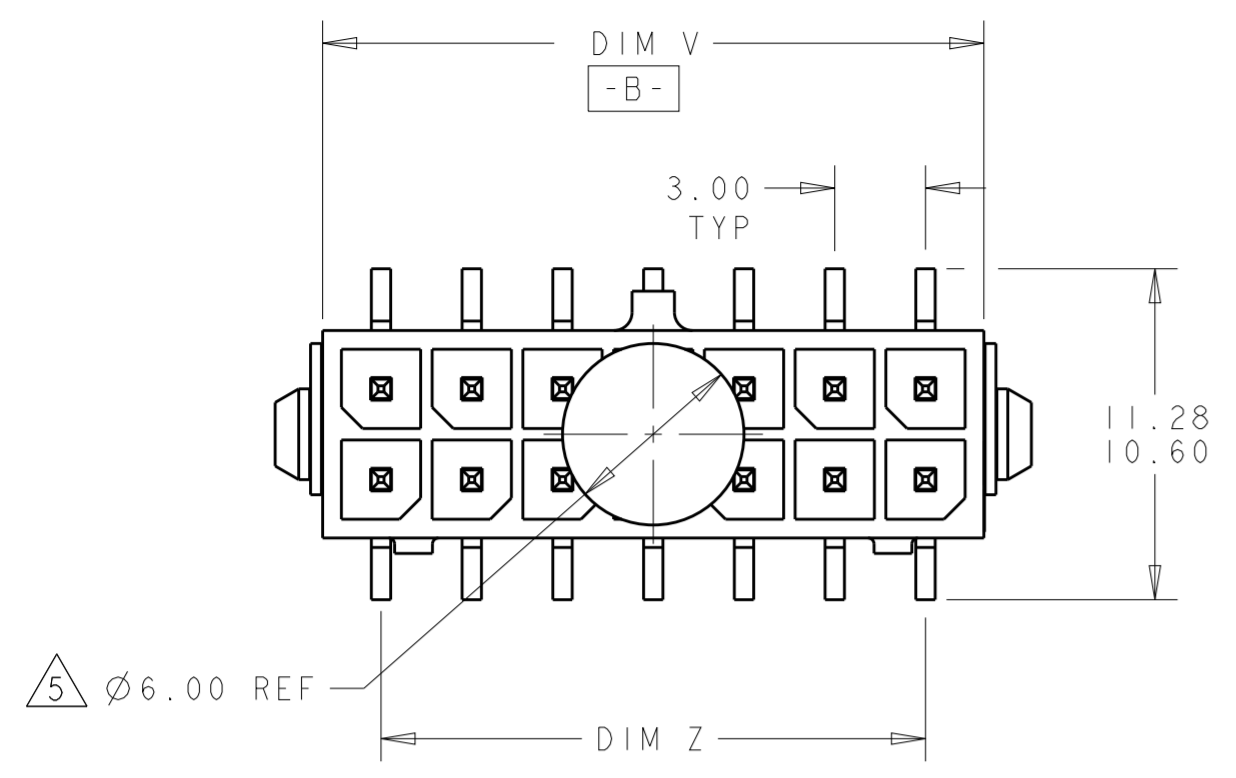
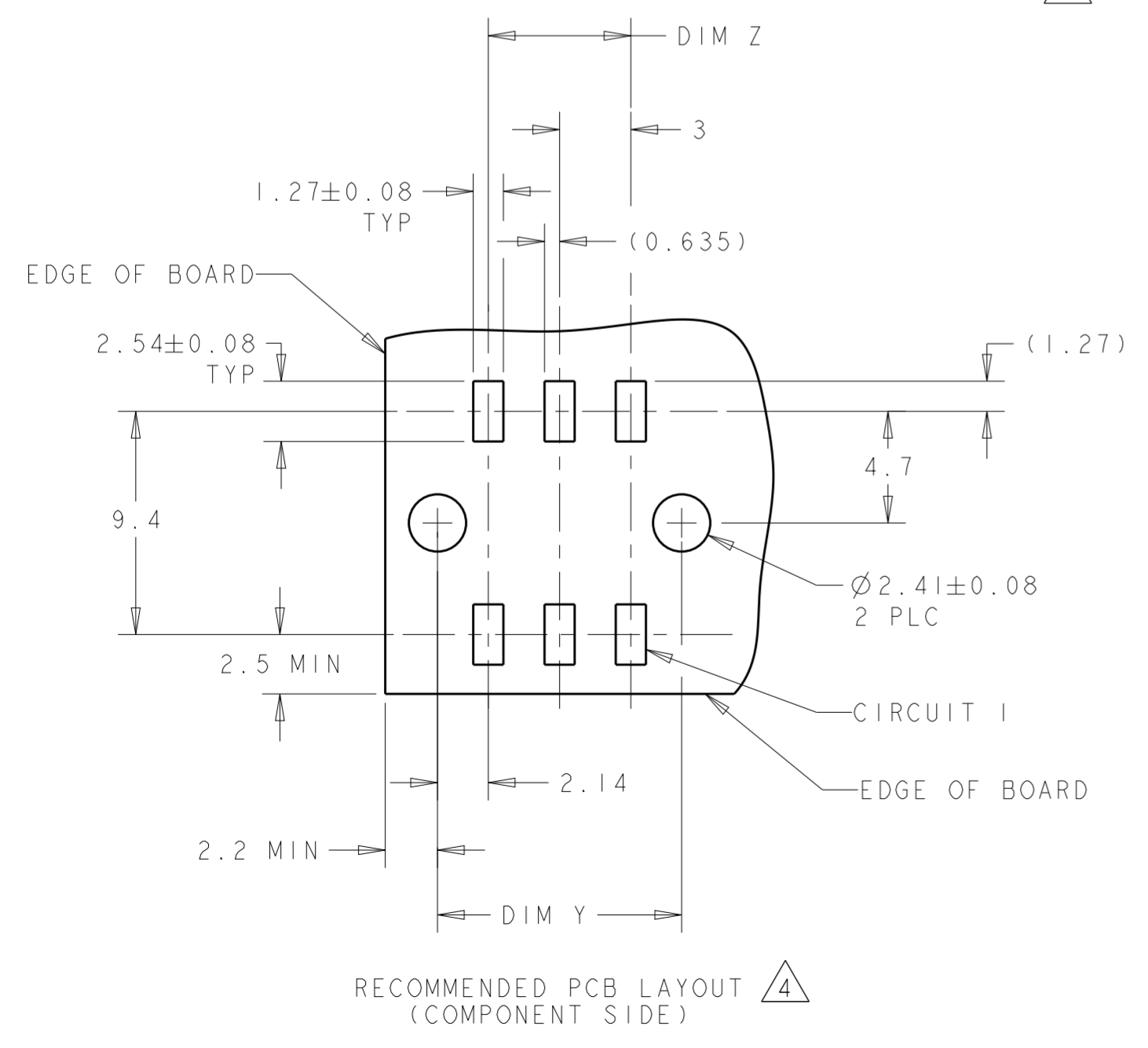
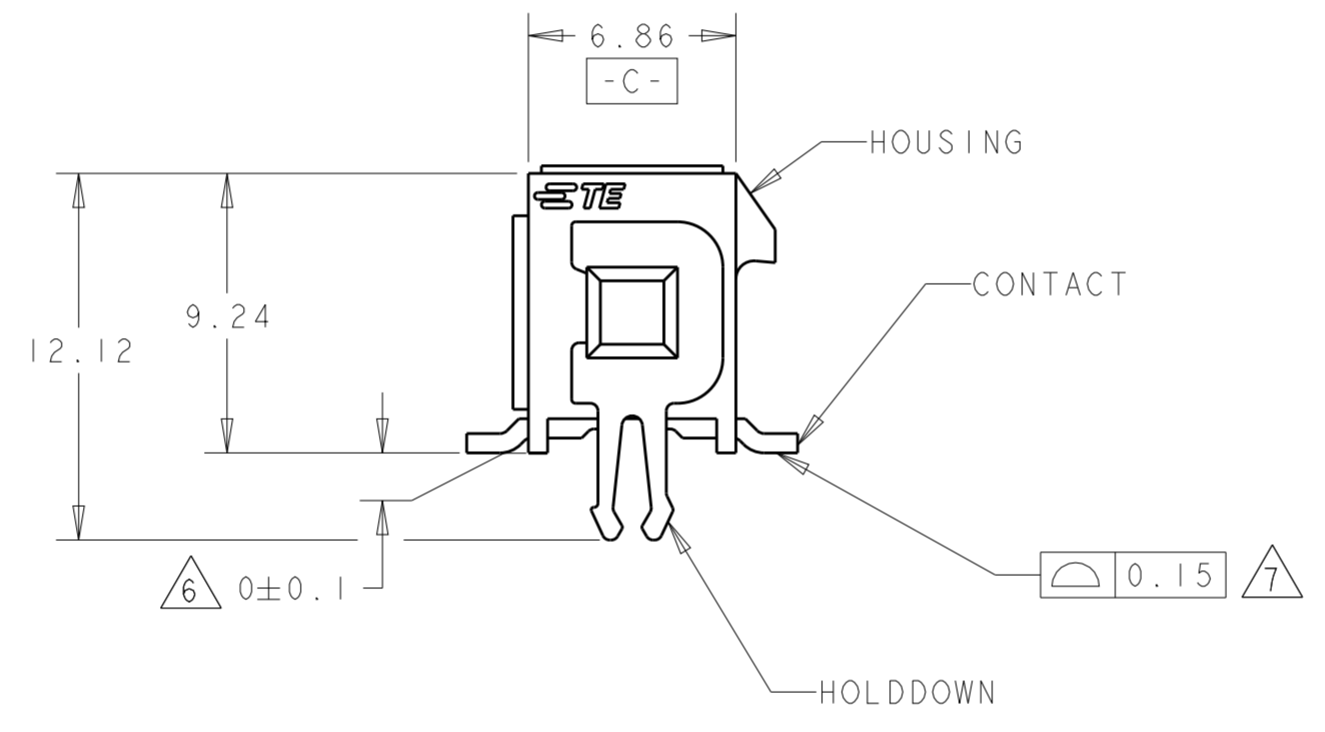
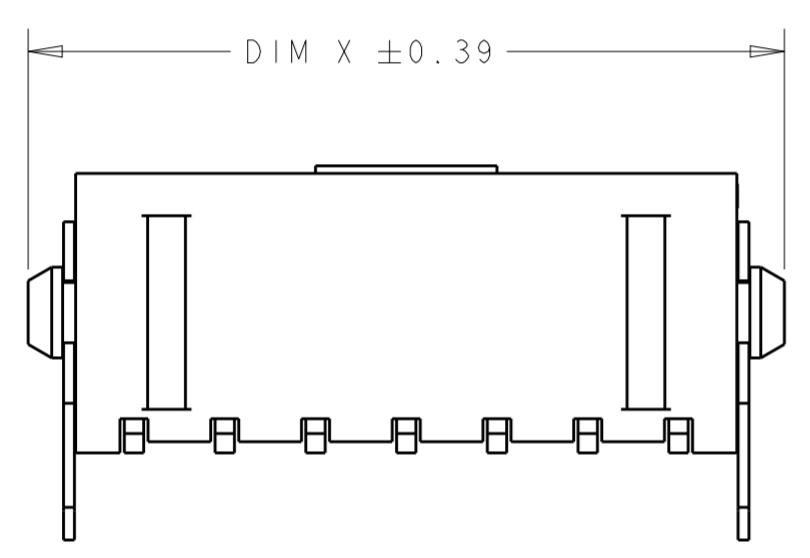


THIS DRAWING IS UNPUBLISHED. RELEASED FOR PUBLICATION 20  
 © COPYRIGHT 20 ALL RIGHTS RESERVED.

LOC	DIST	REVISIONS					
CM	00	P	LTR	DESCRIPTION	DATE	DWN	APVD
		J		REVISED PER ECO-15-003291	27JULY2015	SC	DZ



- 1 MATERIAL:  
CONTACTS - BRASS.  
HOUSING - UL 94V-0 RATED HIGH TEMP NYLON, COLOR; BLACK.  
HOLD DOWNS - PHOSPHOR BRONZE.
- 2 FINISH:  
CONTACTS - 2.54 $\mu$ m MINIMUM TIN-LEAD OVER 0.127 $\mu$ m MINIMUM NICKEL.  
HOLD DOWNS - 2.54 $\mu$ m TIN-LEAD.
- 4 RECOMMENDED PCB BOARD THICKNESS OF 1.57.
- 5 KAPTON VACUUM PICK UP BUTTON.
- 6 DIMENSION APPLIES TO SOLDER TAIL SURFACES AND STANDOFF SURFACES.
- 7 ALL SOLDER TAILS.
- 8 FINISH:  
CONTACTS - 2.54 $\mu$ m MINIMUM MATTE TIN OVER 1.27 $\mu$ m MINIMUM NICKEL.  
HOLD DOWNS - 2.54 $\mu$ m MATTE TIN.



8	36.86	37.3	33.00	40.00	24	5-794633-4
	33.86	34.3	30.00	37.00	22	5-794633-2
	30.86	31.3	27.00	34.00	20	5-794633-0
	27.86	28.3	24.00	31.00	18	4-794633-8
	24.86	25.3	21.00	28.00	16	4-794633-6
	21.86	22.3	18.00	25.00	14	4-794633-4
	18.86	19.3	15.00	22.00	12	4-794633-2
	15.86	16.3	12.00	19.00	10	4-794633-0
	12.86	13.3	9.00	16.00	8	3-794633-8
	9.86	10.3	6.00	13.00	6	3-794633-6
2	6.86	7.3	3.00	10.00	4	3-794633-4
	3.86	4.3	-	7.00	2	3-794633-2
	36.86	37.3	33.00	40.00	24	2-794633-4
	33.86	34.3	30.00	37.00	22	2-794633-2
	30.86	31.3	27.00	34.00	20	2-794633-0
	27.86	28.3	24.00	31.00	18	1-794633-8
	24.86	25.3	21.00	28.00	16	1-794633-6
	21.86	22.3	18.00	25.00	14	1-794633-4
	18.86	19.3	15.00	22.00	12	1-794633-2
	15.86	16.3	12.00	19.00	10	1-794633-0
2	12.86	13.3	9.00	16.00	8	794633-8
	9.86	10.3	6.00	13.00	6	794633-6
	6.86	7.3	3.00	10.00	4	794633-4
	3.86	4.3	-	7.00	2	794633-2
FINISH	DIM V	DIM Y	DIM Z	DIM X	NO. OF POSN.	ASSEMBLY

METRIC

THIS DRAWING IS A CONTROLLED DOCUMENT.

DWN S. HOOVER 23-MAR-2005  
 CHK C. JONES 23-MAR-2005  
 APVD C. JONES 23-MAR-2005

STC TE Connectivity

DIMENSIONS: mm TOLERANCES UNLESS OTHERWISE SPECIFIED:  
 0 PLC  $\pm$   
 1 PLC  $\pm$   
 2 PLC  $\pm 0.13$   
 3 PLC  $\pm$   
 4 PLC  $\pm$   
 ANGLES FINISH  $\pm$

MATERIAL 1 - SEE TABLE

PRODUCT SPEC -  
 APPLICATION SPEC -  
 WEIGHT -

NAME SURFACE MOUNT, VERTICAL, MECHANICAL HOLD DOWN, ASSEMBLY, TIN HEADER, DUAL ROW, MICRO MATE-N-LOK (TM)

SIZE A2 CAGE CODE C-794633 DRAWING NO. 794633-4 RESTRICTED TO -

CUSTOMER DRAWING SCALE 4:1 SHEET 1 OF 1 REV J